

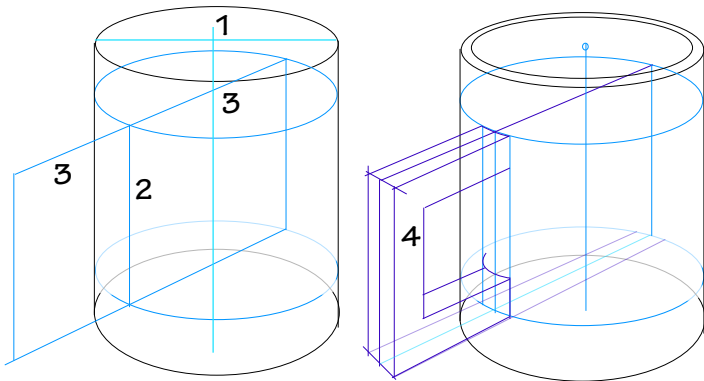
FLOWER POT DRAWING ESSENTIALS

Understanding the construction and perspective behind the drawing.

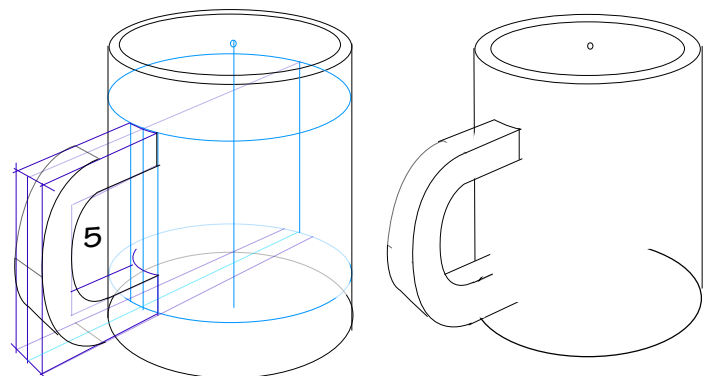


DRAW IN THE LONG AND SHORT AXIS FOR EACH CUP. DRAW IN THE ALIGNMENT LINE OF THE HANDLES TO SHOW THE INTERSECTION WITH THE CYLINDER OF THE CUP.

INTERSECTING A CYLINDER WITH A HANDLE



Making sure the handle correctly intersects cylinder



1. ESTABLISH CENTER OF CYLINDER.
2. ARBITRARILY LOCATE VERTICAL LINE OF HANDLE ATTACHMENT.
3. EXTEND HANDLE HORIZONTAL DISTANCE ACROSS MID POINT OF ELLIPSE.
4. BUILD RECTANGULAR HANDLE.
5. CURVE HANDLE.